



Product parameters:

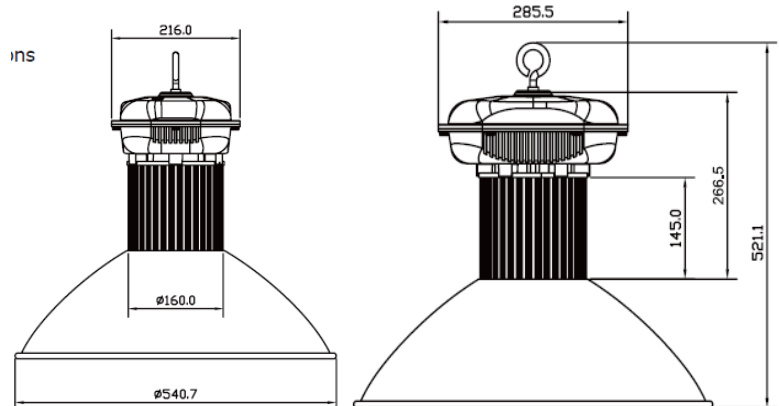
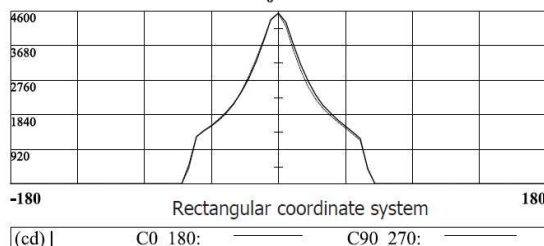
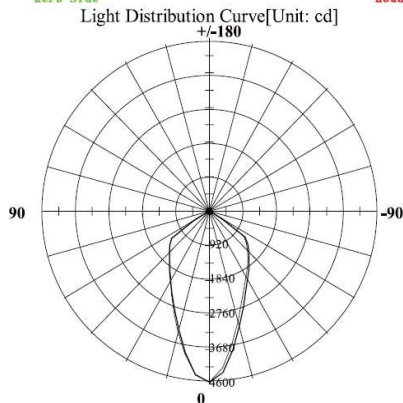
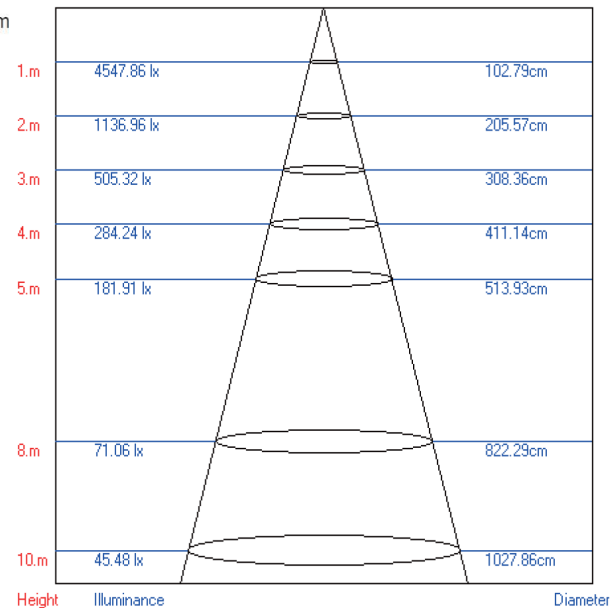
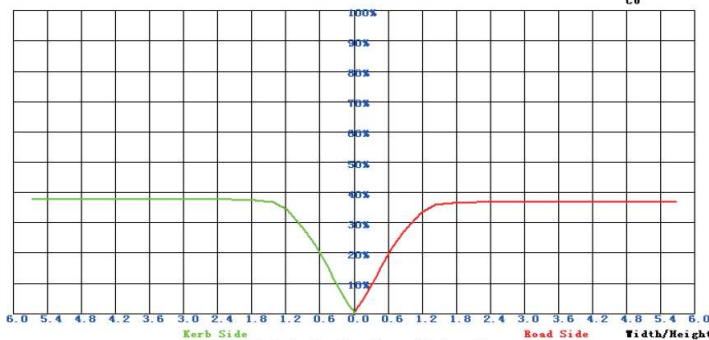
- Input voltage :100-260VAC
- Power: 70W 100W 150W
- Luminous Flux:> 4200lm 6850lm 12420lm
- Power Factor: 0.97
- Power Efficiency:> 85%
- Color temperature :5000-6500K
- Color rendering index: ≥ 80
- Beam angle:> 90 degree
- Protection class: IP-65
- Installation Height :5-10 meters
- Carton Size: L525*W525*H365mm

Features:

- Heat dissipation technology: phase change heat dissipation technology, which greatly reduce the working temperature of LED light source, to ensure the stability and long life of lamps;
- Unique integrated light source module design, high-brightness chips and intellectual property rights.
- 100W high power LED light source: high thermal conductivity, small optical decline, pure light color.
- Equivalent to the brightness of 250W high pressure sodium lamp.
- Up to 30,000 hours service life.



Utilization Factor Curve Ambient Humidity: 50% Ambient Temperature: 25 °C Test Distance: 10.5m



Technical data are subject to change. Last update: 07/2011